

AURIGA DN15/20

SINGLE-JET METER

DIEHL
Metering



APPLICATION

AURIGA DN15/20 is a single-jet water meter designed for measuring cold water in main market. Robust, it is particularly suitable for demanding installation conditions and sediment laden waters.

Developed within the framework of the MID, AURIGA complies with the European regulations and holds sanitary conformity certificates.

Modular, AURIGA can be fitted at any time with an IZAR clip-on module converting it into a communicating meter ready for mobile reading (walk-by, drive-by, passive drive-by) or fixed network reading (radio/wired).

FEATURES

- ▶ DN15/20
- ▶ $Q_3=2.5\text{m}^3/\text{h}$ (DN15) / $Q_3=4\text{m}^3/\text{h}$ (DN20)
- ▶ MID approval up to R=160
- ▶ Starting flow rate: 3 l/h (DN15) / 8 l/h (DN20)
- ▶ Brass body
- ▶ High resistance to demanding water conditions (sand, iron)
- ▶ Compact and modular

AURIGA DN15/20

SINGLE-JET METER

METROLOGICAL DATA

Nominal diameter	DN	mm	15	15	20	20
Length	L	mm	165/170	165/170	190	190
R standard*			160	125	160	125
Nominal flowrate	Q ₃	m ³ /h	2.5	2.5	4	4
Starting flow rate		l/h	3	6	8	12
Minimum flow rate	Q ₁	l/h	15.625	20	25	32
Transition flow rate	Q ₂	l/h	25	32	40	51.2
Maximum flow rate	Q ₄	m ³ /h	3.125	3.125	5	5
Head loss at Q ₃		bar	0.60	0.60	0.58	0.58
Head loss at Q ₄		bar	0.94	0.94	0.91	0.91
kvs (deltaP=Q ² /Kvs ²)			3.22	3.22	5.25	5.25

*Other values on request

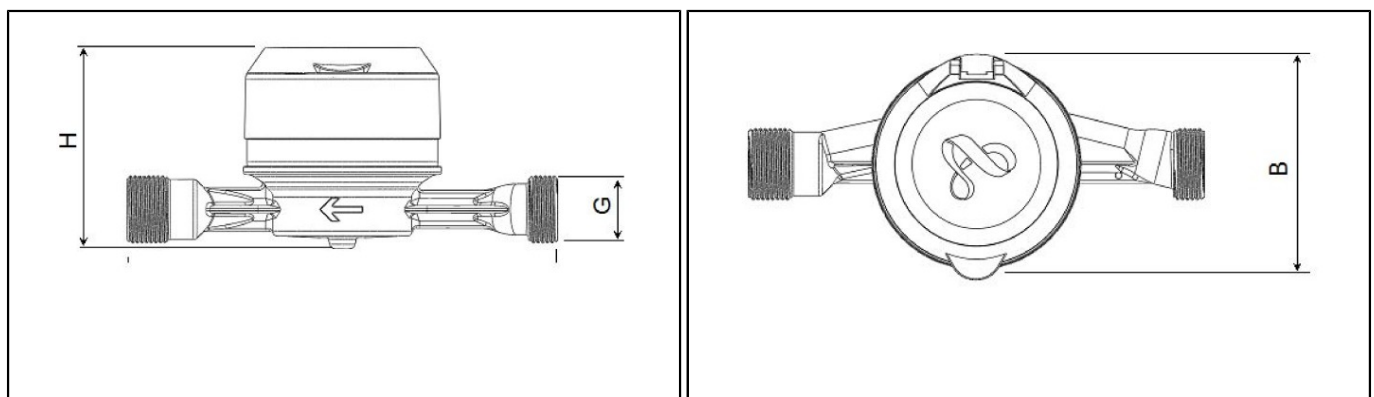
APPROVAL

AURIGA DN15/20	
MID approval	LNE - 30014
Standards	EN 14154 / ISO 4064 / OIML R49
Sanitary conformity	ACS - Belgaqua

TEMPERATURE AND PRESSURE

AURIGA DN15/20	
Water temperature	°C +0.1 ... +50
Ambient operating temperature	°C +1 ... +55
Storage temperature	°C -10 ... +55
Nominal pressure	bar 16

DIMENSIONS



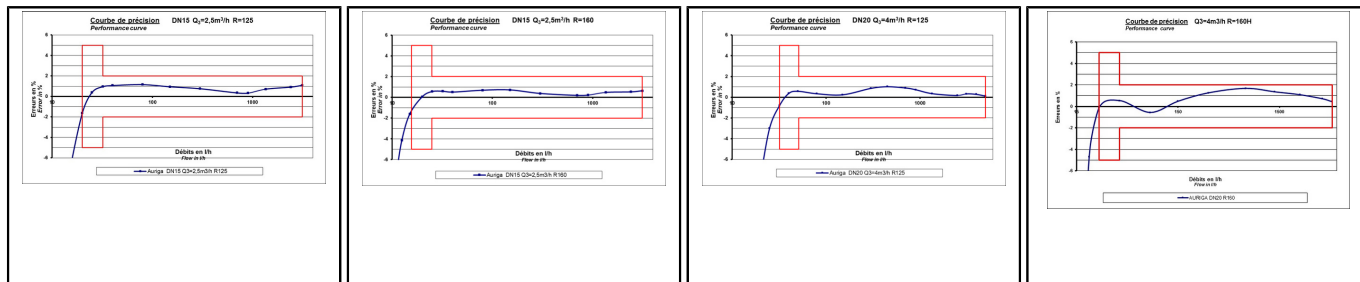
Nominal diameter	DN	mm	15	15	20	20
Length	L	mm	165/170	165/170	190	190
R standard*			160	125	160	125
Width	B	mm	73	73	90	90
Height	H	mm	75	75	80	80
Thread connections	G	inch	3/4"	3/4"	1"	1"
Weight		kg	0.53	0.53	0.73	0.73

*Other values on request

AURIGA DN15/20

SINGLE-JET METER

PRECISION CURVE



DN15 - R=125

DN15 - R=160

DN20 - R=125

DN20 - R=160

This technology does not require straight length.

OPTIONS

- Pair of connectors
- Non-return valve